

## CONE TYPE METER

Cone type flow meter is a novel application of differential pressure technology. It is ideally suited for applications with limited mounting space, as it requires short upstream and downstream straight pipe length. Cone flow meter intrinsically conditions the fluid flow profiles to create a stable differential pressure giving a large turn down and cope well with liquid and particulates in the gas stream. These features make it a meter of choice in demanding conditions delivering accurate and repeatable measurements. Well suited for low viscosity liquid or gas and also it can be leveraged to measure wet gas or wet steam.



### SPECIAL FEATURES

- ◆ Suitable for liquid, gas and steam flow measurement
- ◆ Cone meter design based on ISO5167-5 industry standards
- ◆ Accurate, repeatable and reliable
- ◆ Short upstream and the downstream straight requirements
- ◆ Low maintenance
- ◆ Extended working life

### APPLICATIONS

- ◆ Oil and Gas Industry
- ◆ Power generation
- ◆ Water and waste water treatment and distribution
- ◆ Chemical and Petrochemical Industries
- ◆ Mining and basic materials industry
- ◆ All sorts of flow measurements in liquid, gas or steam applications of various industries

# TECHNICAL SPECIFICATION

## Design Standards:

ISO 5167-5 Industry Standards

## Line Size:

DN 50mm to 500mm  
(Other sizes on request)

## Pressure Rating:

Ranging from ANFI 150# to 2500#  
(The max. operating pressure depends on the pipe class, the flange and the end connection)

## Material:

Main body- Carbon steel,  
Low-temperature carbon steel,  
Stainless steel.  
Other materials on request (e.g.  
Duplex SS, Hastelloy, Monel)

Primary element (Cone)-Stainless  
steel 316/316L  
(Other materials on request)

## Mounting Style:

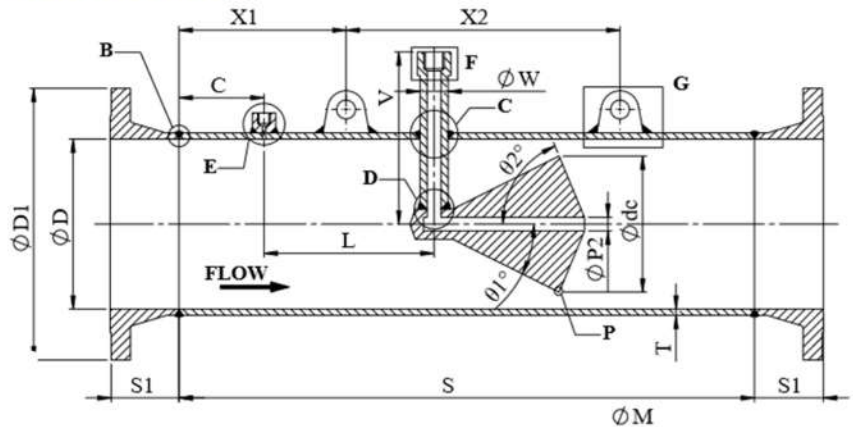
Flanged /Weld end  
(Others on request)

## Markings:

Marked with the line size, bore size,  
material of construction and  
additional technical details as per  
request

## Design Specifications:

### CONE METER:



Sizes: DN 50mm - 500mm

Design standard: per ISO 5167-5

Beta (d/D):  $0.45 \leq \beta \leq 0.75$

Reynolds number:  $8 \times 10^4 \leq Re_D \leq 1.2 \times 10^7$

## Company address:

📍 **Flow Measures Global,**  
9921, Carmel Mountain Rd,  
Suite 300, San Diego, CA-92129  
United States of America.

📍 **Flow Measures Private Limited,**  
Second Floor, New Door No. 4/2,  
Old Door No. 9/2, Sundaram Street, Vetri Nagar,  
Chennai - 600 082 Tamil Nadu, India